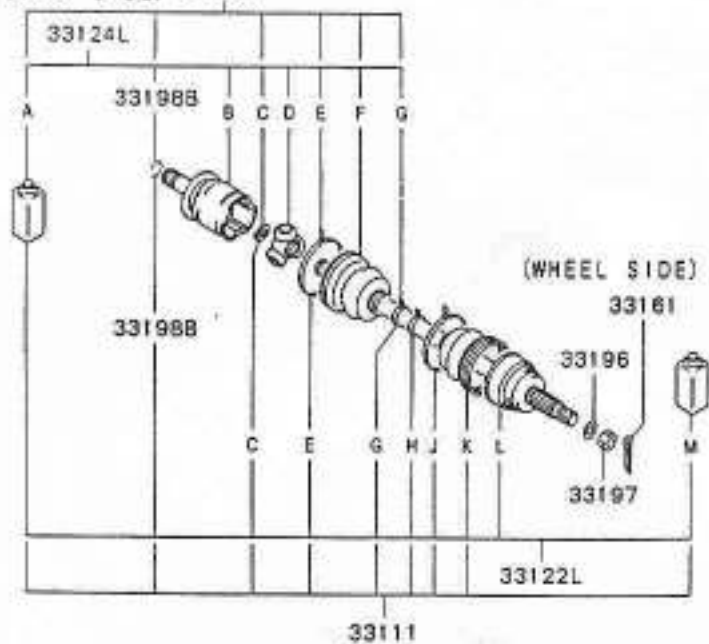
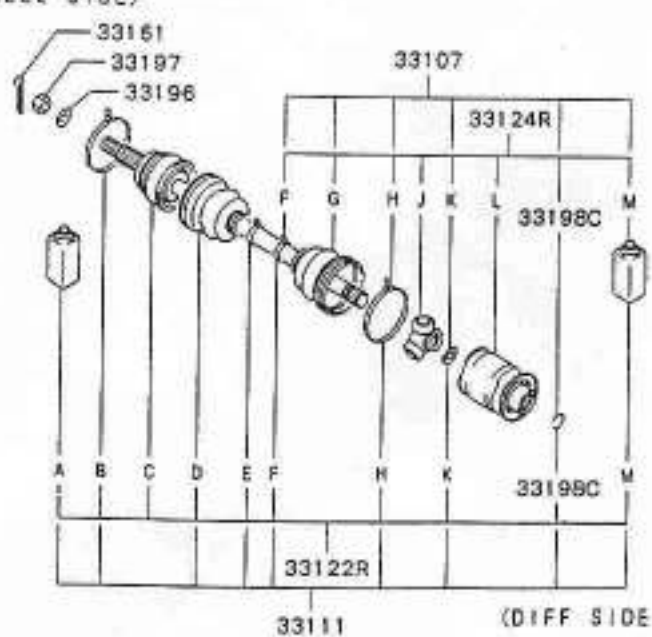


(DIFF SIDE) 33107



(WHEEL SIDE)



Nr	Część	Cena netto zł	Cena brutto zł
34004	BEARING	140,81	171,79
34012	BEARING	89,24	108,88
34013	BEARING	120,98	147,59

34025C	BRACKET, REAR DIFF	380,78	464,55
34025D	BRACKET, REAR DIFF	380,78	464,55
34031D	BUSHING REAR DIFF SUPPORT INSULATOR	101,39	123,70
34033	CARRIER ASSY, REAR DIFF	1 884,05	2 298,54
34033A	CARRIER ASSY, REAR DIFF	8 880,33	10 834,00
34046	COVER, RR DIFF CARRIER	249,39	304,25
34062	DIFFERENTIAL KIT, LIMITED SLIP	5 570,64	6 796,18
34063	DISC FRICTION	194,35	237,11
34063/1	DISC FRICTION	194,35	237,11
34084	GEAR KIT, RR DIFF FINAL GEAR	1 884,05	2 298,54
34085	GEAR KIT, RR DIFF CASE	1 517,16	1 850,93
34132	PLATE	242,94	296,39
33107	BOOT KIT, REAR AXLE JOINT	199,81	243,77
33111	BOOT KIT, REAR AXLE SHAFT	178,49	217,76
33122L	DRIVESHAFT REAR LH	1 234,55	1 506,15
33122L/K	DRIVESHAFT, RR LH	2 078,70	2 536,02
33122R	DRIVESHAFT REAR RH	1 234,55	1 506,15
33122R/K	DRIVESHAFT, RR RH	2 078,70	2 536,02
33124L/R	JOINT KIT, RR AXLE SHAFT	1 128,05	1 376,22
33300L	KNUCKLE, REAR AXLE LH	684,21	834,73
33300R	KNUCKLE, REAR AXLE RH	684,21	834,73
33307A	HUB ASSY, REAR WHEEL	555,30	677,47
52111/15	BRAKE DISC, REAR	525,55	641,17
52111/16	BRAKE DISC REAR 16"	922,19	1 125,08